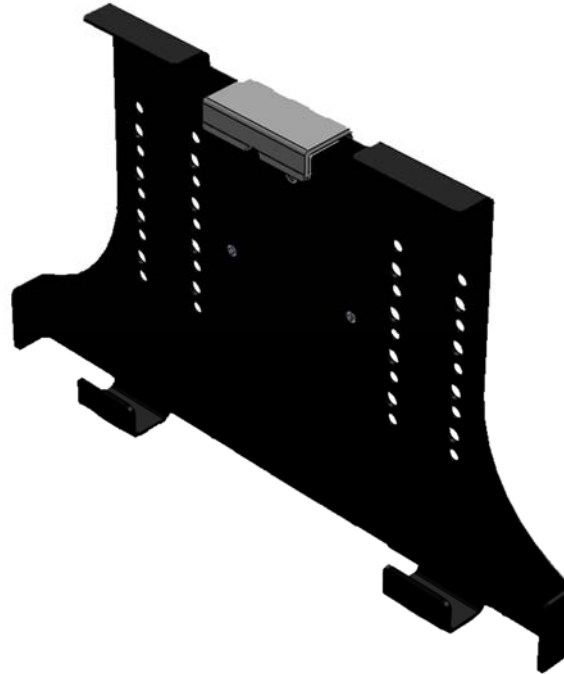




Specification Sheet for Cradle - MS Surface



Part Number: 213014-6

Proprietary Notice

This document and the information disclosed herein are the proprietary data of Avionics Support Group, Inc. (ASG). The information contained herein shall NOT be reproduced, used, or disclosed partially or in full to others without the written authorization of Avionics Support Group, Inc.

Cradle - Surface

Date: 11-04-14

Part Number 213014-6

Revision: A

Description: The Cradle – Surface is designed for use with Microsoft’s Surface Tablet PC. The Cradle holds your Tablet EFB in place providing a safe and secure platform for your EFB, while providing access to all the ports.

Benefits:

Tests: RTCA DO160G: Section 7(B), 8(S)

Capacity: Maximum display weight 6lbs/2.72155kg

Applicability: MS Surface

Features:

Dimensions: 7" (17.8 cm) L x 10.92" (27.74 cm) W x 0.68" (1.73 cm) D

Weight: 0.542lbs/0.246kg - All Metal Construction

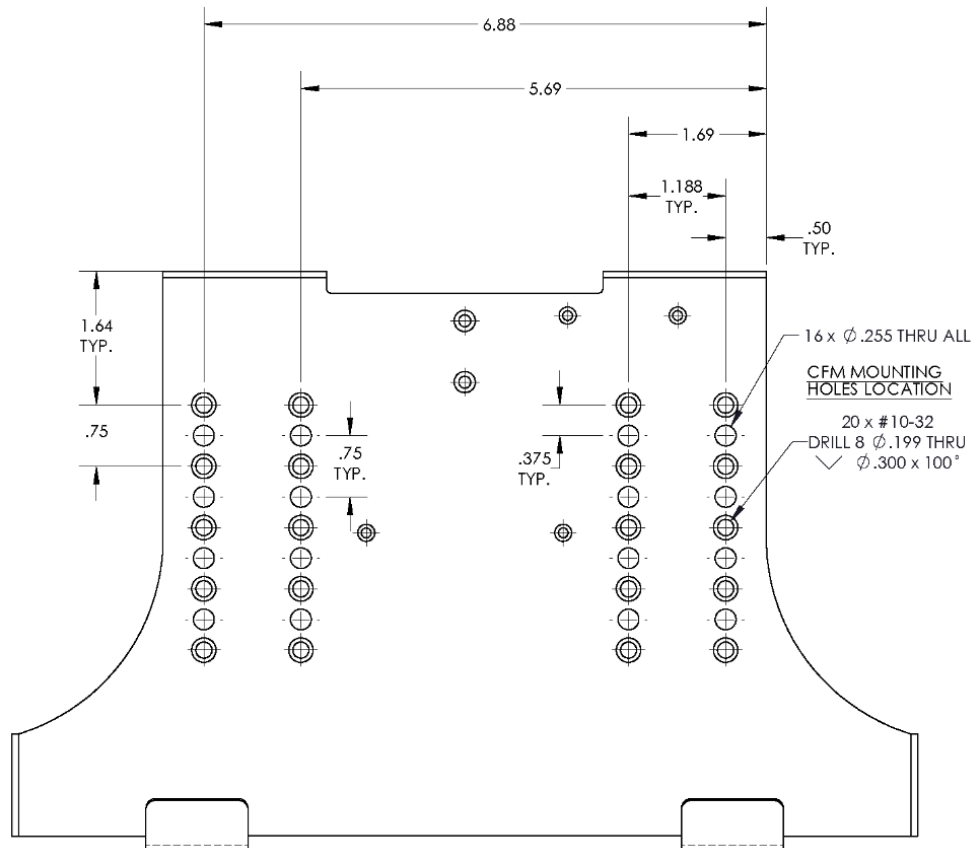
Powder Coated

Quick Release Mechanism for easy mounting and removal

Pre-drilled for the cfMount™ and IPS

Mounting:

Mounting Hole Location:



Mounting

Hardware:

Screws: P/N: NAS8603-2 (4ea)

Nuts: P/N: MS21042-3 (4ea)

Washers: P/N: AN960-10L (4ea)