



# Slide cfMount™

## Spec Sheet



**Part Number: 2579699-3**

### Proprietary Notice

This document and the information disclosed herein are the proprietary data of Avionics Support Group, Inc. (ASG). The information contained herein shall **NOT** be reproduced, used, or disclosed partially or in full to others without the written authorization of Avionics Support Group, Inc.

# Slide cfMount™

Date: 10-Jan-14

Part Number 2579699-3

Revision: A

## SPECIFICATIONS:

### Description:

The **Slide cfMount™** is a fixed mounted base for attaching your EFB to the aircraft. The Slide model is designed for use on all wide body aircrafts. The mount provides maximum stability and reliability with five (5) + years in operation. The Slide function of this allows the pilots to slide the EFB AFT when on the ground providing easy access the egress window. Once in the air the pilot can then slide the EFB FWD to an optimal viewing angle. Our Constant Friction technology received a US Patent for its ability to keep its place in the most severe turbulence, while allowing you to adjust its position to your preferred viewing angle using one (1) hand.

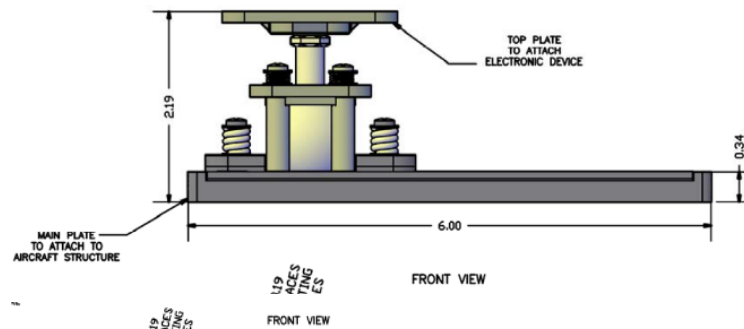
### Benefits:

- Patented: US Patent No. 8231081
- Tested: RTCA DO-160G Tested to Section 7(B) and 8(S)
- Load Capacity: Maximum Display Weight 6lbs/2.72155kg
- Certified: FAA STC No. ST04003AT – Boeing B767-200, -300  
FAA STC No. ST04000AT – Boeing B777-200, -300

### Features:

- Dimensions: 6"/15.2cm L x 3"/7.62cm W x .36"/.9cm H - Low Profile
- Weight: 1 lb/.45kg
- Solid and Rugged Made of Aircraft grade aluminum
- Easy to install and Use
- Rotation: 360° Rotation with 20° Tilt Angel

Pre-Drilled Hole Pattern Accommodates All ASG Cradles & IPS



### Mounting Holes:

